

4

3

2

1

D

D

C

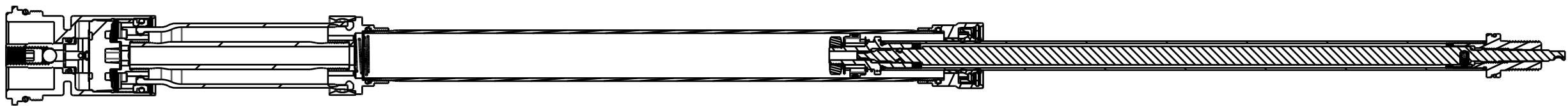
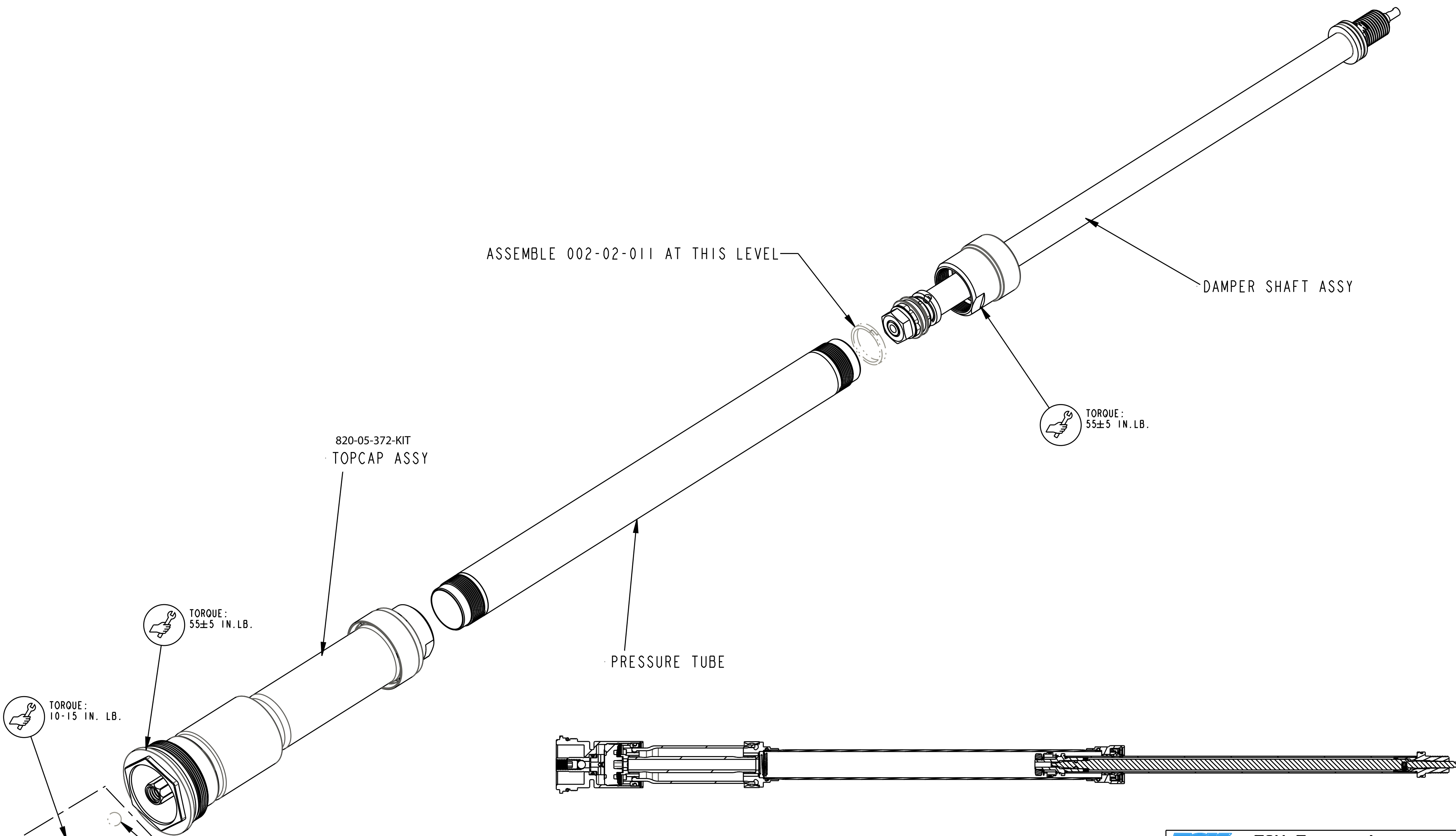
C

B

B

A

A



- 010-01-001
Air Valve Parts: Ball [Ø 0.1875] E52100 Grade 25 Steel, Chrome
- 019-01-107
Fastener Standard (Metric): Socket Set Screw [M6 X 1.0 x 6.0MM] Flat PT, SST

ASSEMBLE THESE PARTS AFTER OIL FILL

PROPRIETARY - THIS DOCUMENT CONTAINS CONFIDENTIAL, PROPRIETARY INFORMATION THAT IS FOX PROPERTY. DO NOT DISCLOSE TO OR DUPLICATE FOR OTHERS EXCEPT AS AUTHORIZED BY FOX.

	FOX Factory, Inc. 130 Hangar Way, Watsonville, CA 95076 USA Ph 831-768-1100 Fax 831-768-9312	
	RETRO 2016 34 P-S FIT4 Cart Assy	
TITLE C	DWG. NO.	SHEET 1 OF 1
PLOT SCALE .00:1	ProE ASSEM	

4

3

2

1

ProE ASSEM